

# SPS-240P Series

240W, Single Output

P.F.C Function



198 x 99 x 50 mm  
7.80 x 3.90 x 1.97 inch



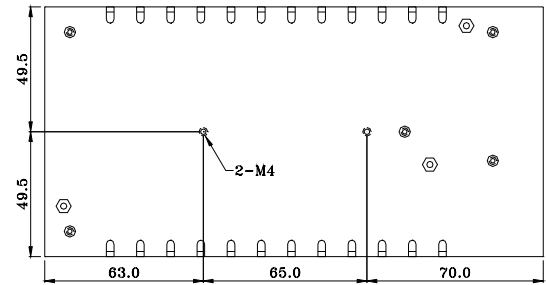
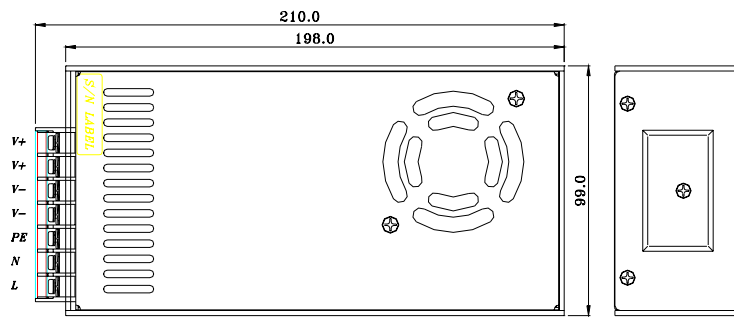
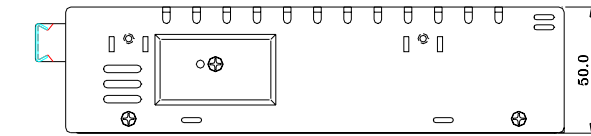
## Features:

- \* AC input 88V ~ 132V or 175V ~ 264V, select by switch
- \* P.F.C. function
- \* Built in EMI filter, low ripple noise
- \* Over load, over voltage, short circuit protection
- \* Output voltage  $\pm 10\%$  adjustment
- \* Remote Control ON/OFF (Optional)
- \* Non min load requirement
- \* 100% 50°C burn-in test
- \* UL, cUL, TUV, ,CB, CE standard
- \* 1 years warranty

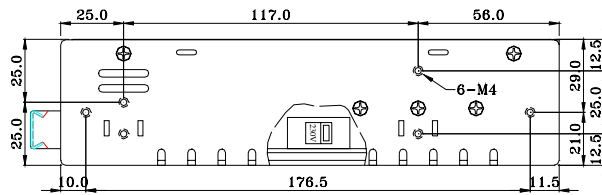
## Specification:

| MODEL       | SPS-240P3.3   | SPS-240P05   | SPS-240P7.5 | SPS-240P12 | SPS-240P15  | SPS-240P24 | SPS-240P27  | SPS-240P48  |             |
|-------------|---|--|-------------|------------|-------------|------------|-------------|-------------|-------------|
| OUTPUT      | Voltage   | 3.3V   | 5V          | 7.5V       | 12V         | 15V        | 24V         | 27V         | 48V         |
|             | Min. Load   | 0A   |             |            |             |            |             |             |             |
|             | Max. Load   | 40A  | 40A         | 29A        | 20A         | 16A        | 10A         | 8.9A        | 5A          |
|             | Regulation  | $\pm 3\%$  | $\pm 2\%$   |            |             | $\pm 1\%$  |             |             |             |
|             | Ripple Noise(max)   | 50mV   | 70mV        | 100mV      |             | 120mV      | 240mV       |             |             |
|             | Efficiency (typ)  | 69%  | 75%         | 77%        | 80%         | 80%        | 83%         | 84%         | 84%         |
|             | Max. Power  | 132W   | 200W        | 218W       | 240W        |            |             |             |             |
| INPUT       | Voltage   | AC input 88V ~ 132V or 175V ~ 264V, select by switc  |             |            |             |            |             |             |             |
|             | Frequency   | 47 ----- 63 Hz   |             |            |             |            |             |             |             |
|             | Current   | <3.2A@115V / <1.6A@230V AC input, full load condition.                                     |             |            |             |            |             |             |             |
|             | Inrush Current  | <40A@115V / <80A@230V AC input, full load condition. Cold start at 25°C ambient            |             |            |             |            |             |             |             |
|             | Leakage Current   | <1.5mA@264V AC input   |             |            |             |            |             |             |             |
|             | Power Factor  | Meet IEC 1000-3-2 class A  |             |            |             |            |             |             |             |
| PROTECTION  | OverLoadProdtection   | Over 105% ~ 180% of rating, recovers automatically after fault condition has been removed. |             |            |             |            |             |             |             |
|             | OverVoltageProdtection  | 3.8V-4.6V  | 5.8V-7.0V   | 8.6V-10.5V | 13.8V-17.5V | 17.3V-21V  | 27.6V-33.6V | 32.2V-39.2V | 55.2V-67.2V |
|             | ShortCircuitProdtection   | Shutdown, recovers automatically after fault condition has been removed.                   |             |            |             |            |             |             |             |
| OTHERS      | Rise time   | <20mS  |             |            |             |            |             |             |             |
|             | Hold up time  | >20mS@230V   |             |            |             |            |             |             |             |
|             | Remote Control  | Optional   |             |            |             |            |             |             |             |
|             | Cooling   | A 12CFM (min.) DC ball bearing Fan   |             |            |             |            |             |             |             |
| Environment | Temperature   | Operating: 0~70°C; derating: 45°C ~70°C : 2.5%/°C. Storage: -10~+75°C                      |             |            |             |            |             |             |             |
|             | Humidity  | Operating: 20% ~ 85%; Storage: 10% ~ 95% (non condensing)                                  |             |            |             |            |             |             |             |
| M.T.B.F.    | 220K hours  |  |             |            |             |            |             |             |             |
| SAFETY      | UL 60950, CSA C22.2 No.60950, TUV EN 60950, IEC 60950, EMKO-TSE (74-SEC)207/94 standard |  |             |            |             |            |             |             |             |
| EMC         | EMI   | FCC CFR 47 PART 15 CLASS B, EN 50081-1, CNS 13438 CALSS B.                                 |             |            |             |            |             |             |             |
|             | EMS   | EN 50082-1 (1997)  |             |            |             |            |             |             |             |
| PACKING     | N.W.: 1.0Kg / 1pc; 18pcs / 1.38 Cu ft <sup>3</sup> / 1 CTN                              |  |             |            |             |            |             |             |             |

**Dimension:**



**BOTTOM VIEW**



1. TERMINAL BLOCK : 7P, PITCH 9.5 mm WITH PC COVER.
2. UNIT : mm.